

Specifications

Model name	HT 84R	HT 124R	HT 224R	HT 84RCE	HT 124RCE	HT 224RCE
Capacity	80g	120g	220g	80g	120g	220g
Readability (d)	0.1mg	0.1mg	0.1mg	0.1mg	0.1mg	0.1mg
Verification intervals (e) *1	-	-	-	1mg	1mg	1mg
Repeatability	0.1mg	0.1mg	0.1mg	0.1mg	0.1mg	0.1mg
Linearity	±0.3mg	±0.3mg	±0.3mg	±0.3mg	±0.3mg	±0.3mg
Stabilization time	3.0 sec.	3.0 sec.	3.0 sec.	3.0 sec.	3.0 sec.	3.0 sec.
Pan size	80mm dia	80mm dia	80mm dia	80mm dia	80mm dia	80mm dia
Calibration	Internal & External	Internal & External	Internal & External	Internal & External	Internal & External	Internal & External
Dimensions	290×200×306 mm					
Weights	Approx. 2.9kg					

Model name	HT 84	HT 124	HT 224	HT 84CE	HT 124CE	HT 224CE
Capacity	80g	120g	220g	80g	120g	220g
Readability (d)	0.1mg	0.1mg	0.1mg	0.1mg	0.1mg	0.1mg
Verification intervals (e) *1	-	-	-	1mg	1mg	1mg
Repeatability	0.1mg	0.1mg	0.1mg	0.1mg	0.1mg	0.1mg
Linearity	±0.3mg	±0.3mg	±0.3mg	±0.3mg	±0.3mg	±0.3mg
Stabilization time	3.0 sec.	3.0 sec.	3.0 sec.	3.0 sec.	3.0 sec.	3.0 sec.
Pan size	80mm dia	80mm dia	80mm dia	80mm dia	80mm dia	80mm dia
Calibration	External	External	External	External	External	External
Dimensions	290×200×306 mm					
Weights	Approx. 2.9kg					

*1 "CE" models are OIML class I approved. Verification interval "e" is available only in "CE" models.

Options

- HTDK Density measurement kit
- HTBT* Dry-cell battery pack

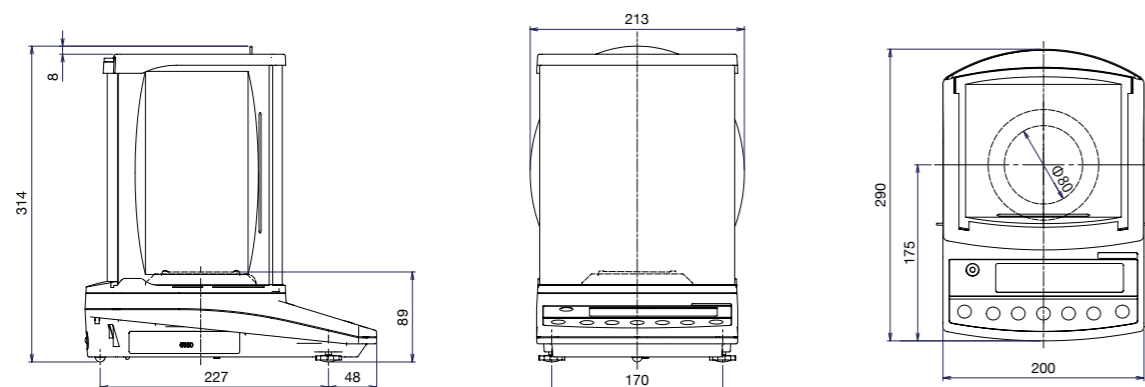
*not available for CE model

Common Specification

- Output : RS-232C & peripheral device output
- Measuring system : Tuning-fork frequency sensing
- Tare : Full weighing range
- Display : LCD with backlit



Dimensions



SHINKO DENSHI CO., LTD.

SHINKO DENSHI CO., LTD.
 3-9-11 YUSHIMA, BUNKYO-KU, TOKYO 113-0034
 TEL : 81-3-3835-4577 FAX : 81-3-5818-6066
 URL : <http://www.vibra.co.jp/global/>
 E-mail : shinko-denshi@vibra.co.jp

Distributed by:

NETTO Electronics s.r.o.
 Malešická 2777/45a
 130 00 Praha 3
 +420 271 001 877
sales@vahyNetto.cz

1211-k



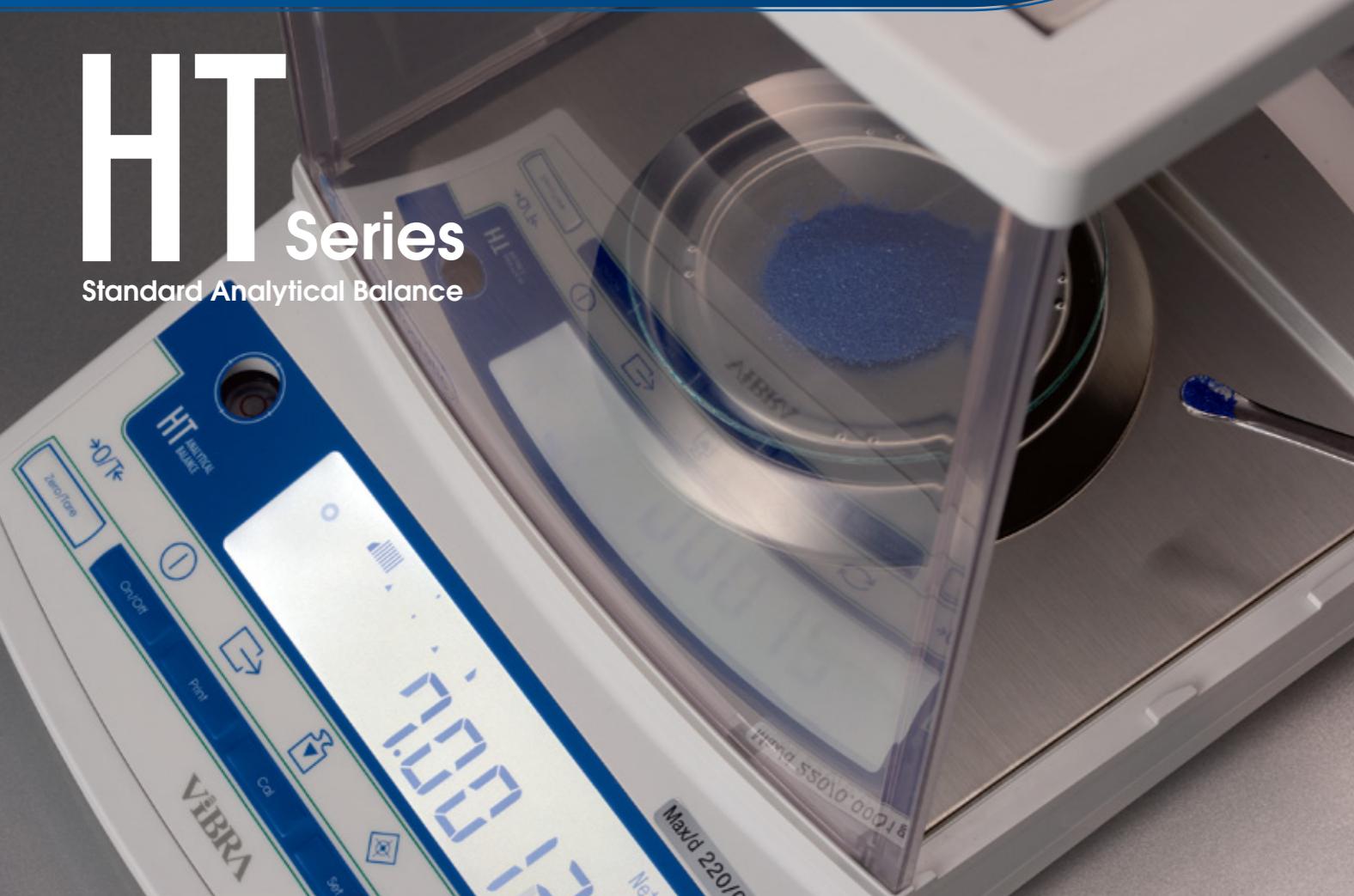
Make a Difference
 New Concept of Analytical Balance



SHINKO DENSHI CO., LTD.

Sophisticated weighing solution for lab professionals

HT Series Standard Analytical Balance



Make a Difference - New Concept of Analytical Balance

VIBRA HT series has achieved reliable analytical weighing with all of tuning-fork sensor advantages. "Plug & Perform" (no warm-up time), energy saver, stable indication, longterm reliability, etc ... all are put

in this compact body. HT series provides you with comfortable and reliable weighing operation in everyday laboratory works.



VIBRA HT series has Se-CAL function as standard. In Se-CAL, the balance can perform self-calibration fully automatically according to pre-installed conditions (elapsed time or temperature change). It makes sure that the balance is always in appropriate condition for accurate weighing operation.

Se-CAL



Easy RES function

It is sometimes necessary to choose appropriate response speed according to weighing object and outer environment. Easy RES offers very simple way to adjust the response speed. Just one-touch of SET key is enough to adjust response speed in three levels.



Automatic Repeatability Measurement

In ARM function, you can easily check the condition of the balance by calculating the standard deviation of repeatability (HTR series only).



Short stabilization time & stable indication

Short stabilization time and stable indication are quite important for efficient laboratory works. VIBRA HT series achieves these two in high level with newly developed tuning-fork sensor.

Simple structure - Easy to clean

It often happens that weighing objects like powder and liquid are spilled over in the windshield during weighing operation. The simple structure of windshield parts makes it possible to easily disassemble and reassemble for cleaning.



Connection



Bright LCD

With clear and bright back-lit LCD, the user can easily read the indication in the display. It reduces the reading errors.



VIBRA HT series has RS232C output as standard and can be easily connected to the printer, PC and other outside devices. You can record the weighing results in printed and/or electric forms.