

Reliable and consistent, even for the simplest applications

EC easy

The requirements for the application do not always have to be demanding, which means that the variety of options is not the focus. Nevertheless, the demand for the highest quality and functionality must always be fulfilled. The EC-easy is committed to this claim. Designed to complement our checkweigher portfolio in the broad field of lower throughput applications. For this reason, it is your entry into a machine segment of its own for dynamic weight control of packaged products.

The mechanical design of the EC-easy is optimized for the simple applications. The belt and drive technology used for product transport is incomparably efficient. This technology is the same used in our higher-performance checkweighers. The mounting of the conveyor belt components is simplified. The option range of the available modular components is easy to handle.

The functions and operation are nevertheless based on our well-known hardware and software architecture. A load cell based on strain gauge technology is used for weight measurement.

The EC-easy offers you reliable and complete quality control, for simple checkweigher applications in uncomplicated, dry production environments. Reliable dynamic weight control is achieved with

this MID-certified checkweigher, which is approved for legal-for-trade production processes. And if there should ever be any incorrectly weighed products, they are safely rejected.



Main Features

- ✔ Stainless steel construction
- ✔ Wide range of belt dimensions
- ✔ Tool-less belt change
- ✔ Intelligent servo motors
- ✔ User-friendly 8" touch display
- ✔ MID certified
- ✔ Approved for legal-for-trade applications
- ✔ Development & manufacturing in GER

Your Benefits

- ✔ Easy line integration
- ✔ Clear machine layout
- ✔ User-friendly operation
- ✔ Reliable production monitoring and documentation
- ✔ Comprehensive statistics
- ✔ Intelligent average value control / filler control
- ✔ Excellent price / performance ratio

Technical Data

EC **easy**

Base Data

Material of machine	Stainless steel frame V2A/AISI 304
Unit weight (standard version)	100 kg
Shipping weight (standard version)	140 kg
Protection type	IP54
Temperature range	+5 °C to +40 °C
Display and operation	8" color TFT display with touch screen
Avaliable diaolg languages	German, English, French, Italian, Spanish
Interfaces ¹⁾	Optional: Ethernet, RS232, RS422
Rate of speed ²⁾	120 pcs/min
Digital I/O	8xE + 8xA
Product parameter storage	50 PPS (option 100 PPS)
Drive	Servo technology
Noise level ²⁾	A-weighted emission sound pressure level under 70 dB(A)
Rated voltage controls	L1/N/PE; 100-240 VAC
Rated frequency	50/60 Hz
Connect load	Approx. 0.8 kVA
Compressed air supply (option)	8 bar approx. 10 NI/min Grade (according to ISO 8573-1) [5:3:3]
Possible maximum numbers of connected motors	3 motors
EC-certified	DE-18-MI006-PTB001 (MID)

Weighing Details

	GWR (Gross weight range)	Initial Load max.	e (calibration value)	d (Display value)	Standard deviation (1s)	n (Graduation steps)
EC-easy1	DMS	1.500 g	≥ 1,0 g	≥ 0,5 g	from 200 mg	3.000
EC-easy2	DMS	6.000 g	≥ 2,0 g	≥ 1,0 g	from 200 mg	3.000

1) Optionally, surcharge

2) Depending on product shape, product behavior, transport speed and environmental conditions

Conveyor Dimension

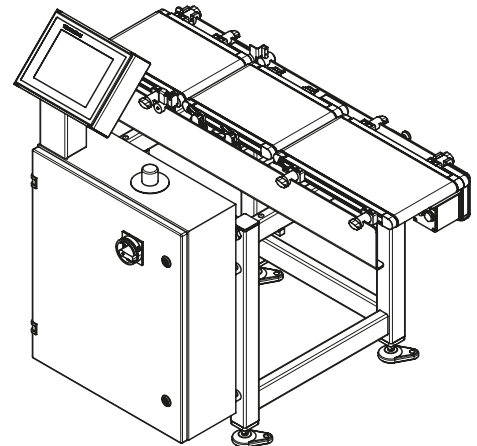
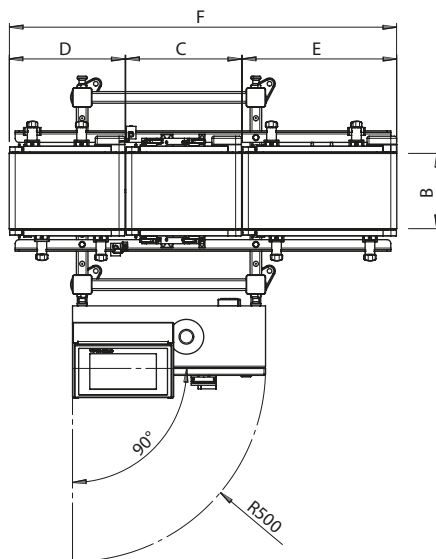
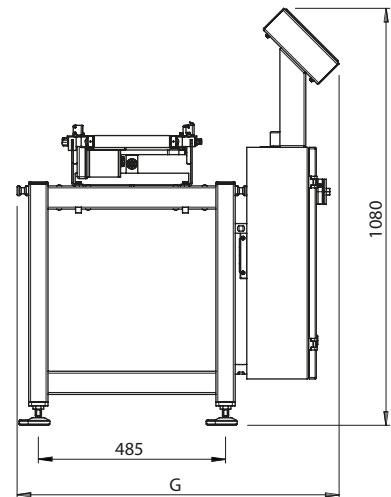
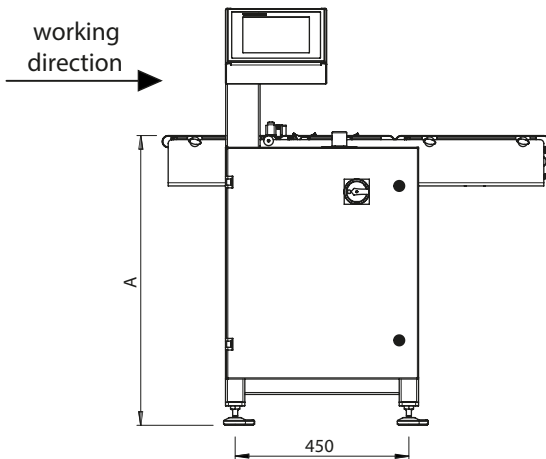
		Dimensions weighing conveyor		
length \ width		150 mm	200 mm	300 mm ¹⁾
250 mm		X	X	-
300 mm		X	X	-
400 mm		X	X	X
500 mm ¹⁾		X	X	X

		Dimensions infeed / outfeed conveyor		
length \ width		150 mm	200 mm	300 mm ¹⁾
300 mm		X	X	-
400 mm		X	X	X
500 mm		X	X	X
600 mm		X	X	X

1) Optionally, surcharge

Machine Dimensions

EC easy



A = Working height¹⁾	650-800 ²⁾ / 750-900 / 850-1.000 / 950-1.100 ²⁾ mm
B = Conveyor width	150 / 200 / 300 ²⁾ mm
Conveyor technology NT 30	roller diameter 30 mm
C = Weighing conveyor length	250 / 300 / 400 / 500 ²⁾ mm
D = Infeed conveyor length	300 / 400 / 500 / 600 mm
E = Outfeed conveyor length	300 / 400 / 500 / 600 mm
F = Total length	D + C + E + 10 mm
G = Total width	830 mm depending on machine configuration

1) Working height must be specified when ordering

2) Optionallay, surcharge

These specifications are reference values of the standard machine excluding application- or weighing-specific add-on parts.
All entries in mm | Drawing shows design example.

